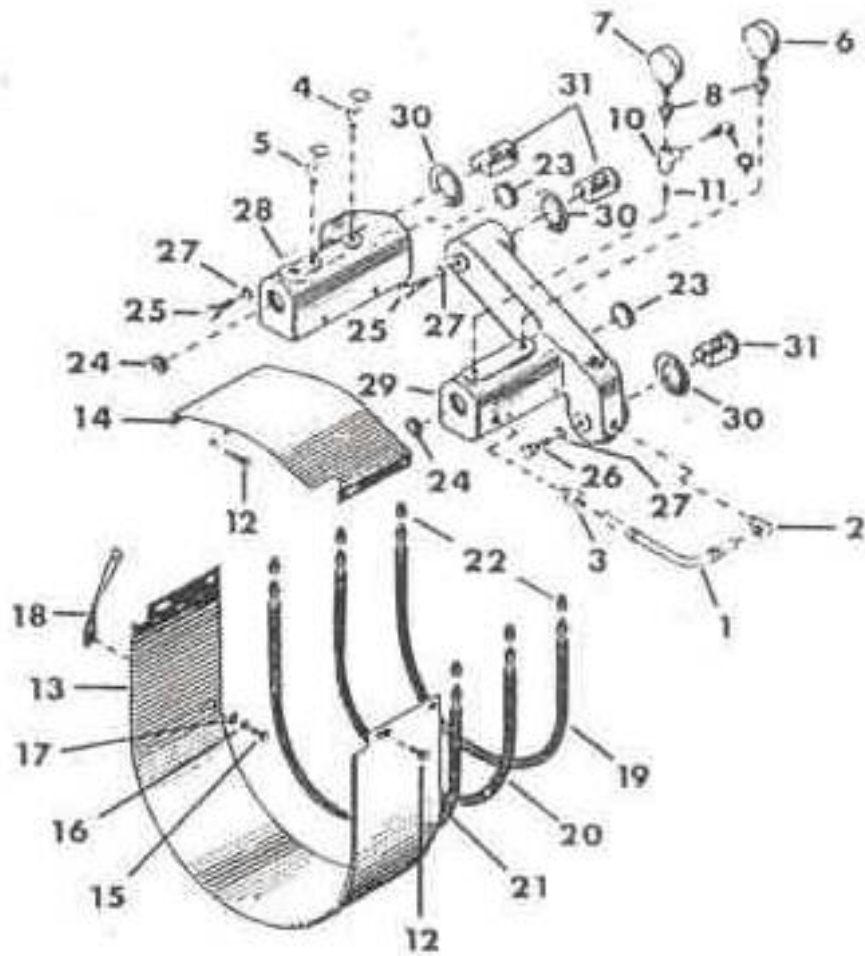


9. Intercooler Assembly - Model 15T2



All manufacturer's names, numbers, photos, product description and/or part numbers are used for reference purposes only & it is not implied that any part listed is the product of these manufacturers. Since Approvement are made from time to time, the illustration and specifications are subject to change without notice.

9. Intercooler Assembly - Model 15T2

Ref. No.	Component Number	Description	Qty. per Assly.	Spares		
				1	2	3
10-1	37131109	Assembly, Tube - Intercooler/3rd Stage	1		1	1
10-2	95031761	Elbow, Tube - 3/4 X 3/4	1			
10-3	95083275	Connector, Tube 3/4 X 3/4	1			
10-4	97048094	Valve, Safety - 60 PSIG	1			1
10-5	72062102	Valve, Safety - 260 PSIG	1			1
10-6	95736898	Gauge, Pressure -100 PSIG	1			1
10-7	95736922	Gauge, Pressure -300 PSIG	1			1
10-8	30282396	Damper Assembly - Pulsation	2			
10-9	95110441	Elbow, Tube - 1/4	1			
10-10	95006524	Tee, Pipe -1/4	1			
10-11	95426714	Nipple, Close - 1/4 X 7/8	1			
10-12	95053070	Capscrew - Hex 1/4-20 X 1/2	8			
10-13	30218283	Shroud, Inter - Cooler, Bottom	1			
10-14	30218275	Shroud, Inter - Cooler, Top	1			
10-15	95053070	Capscrew-Hex 1/4-20 X 1/2	1			
10-16	95094298	Washer, Flat - 1/4	1			
10-17	95043196	Lockwasher, Spring - 1/4	1			
10-18	30209829	Brace, Inter - Cooler Shroud	1			
10-19	32024697	Tube Assembly, Finned -36"	7		1	2
10-20	32025678	Tube Assembly, Finned -38 - 3/4"	5		1	2
10-21	32025686	Tube Assembly, Finned -41 -1/2"	7		1	2
10-22	95083143	Connector, Male - 3/8 X 1/4"	38			
10-23	95033338	Plug, Square Countersunk -1-1/4"	2			
10-24	95033338	Plug, Square Countersunk -1	2			
10-25	95043808	Capscrew-Hex 5/8-11 X 2-1/4	1			
10-26	95002168	Capscrew-Hex 5/8-11 X 2-1/2	2			
10-27	30345185	Washer, Flat - 5/8	3			
10-28	37129038	Manifold, Intercooler	1			
10-29	37129046	Manifold, Intercooler	1			
10-30	30294870	Gasket, Manifold	3	1	1	2
10-31	30221121	Connection, Manifold	3			